



THE ALL-NEW REVIVE

# REMOTE *Reel*



Radio Version  
Instruction Manual

# EU Declaration of Conformity



We,

**Revive Environmental International Ltd.,**

Of,

**Building 10, Stradavoher Business Park, Thurles, Country Tipperary, Ireland. E41 V065.**

Declare under our sole responsibility as the body authorised to prepare the technical file for the product:

Machine Name: **Revive Remote Reel**

Declaration of Conformity Number: **2021.110**

Complies with the relevant provisions of:

- **2006/42/EC – Machinery Directive**

Complies with the following relevant clauses of standards

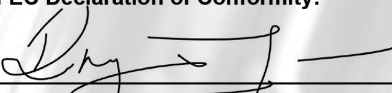
- **ISO 12100: 2010 Safety of Machinery – General Principles for Design – Risk Assessment and Risk Reduction.**

We declare the technical file for this machine was compiled meeting the provisions of the listed directive(s) above and undertake to forward these to market monitoring authorities by request. This declaration is invalidated by any modification outside the scope of those identified by the manufacturer.

**Consultant for the compilation of the relevant technical documentation:**

Signed:  Date: 19/03/2021  
Arc Management Systems, Unit 1, Cillin Hill, Co. Kilkenny, Ireland, R95 A4VP.

**Manufactures representative for the approval of the relevant technical documentation and issuer of EC Declaration of Conformity:**

Signed:  Date: 22/03/2021  
Revive Environmental International Ltd.,  
Building 10, Stradavoher Business Park, Thurles, Country Tipperary, Ireland. E41 V065

Place of issue: Ireland





# The Revive Remote Reel

## Instruction Manual

### Introduction

The Revive Remote Reel is designed for use in areas not normally accessible by conventional methods, these include:

- Soft ground conditions.
- Remote access drains.
- Drains requiring access through residential or commercial buildings.

Prior to operating the Revive Remote Reel the operator should read and understand the instruction manual provided for the JCB HTD5 chassis. The operator should also ensure a safe working environment for themselves and others around them.

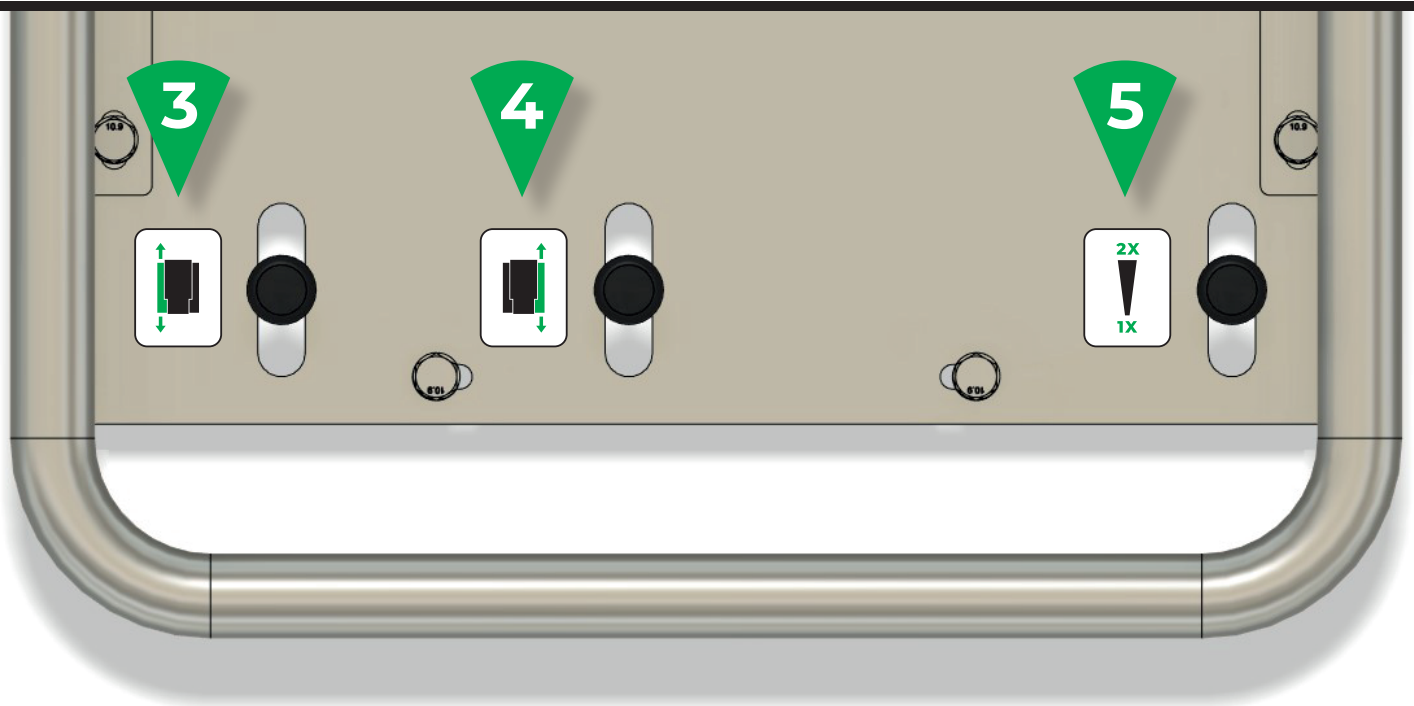
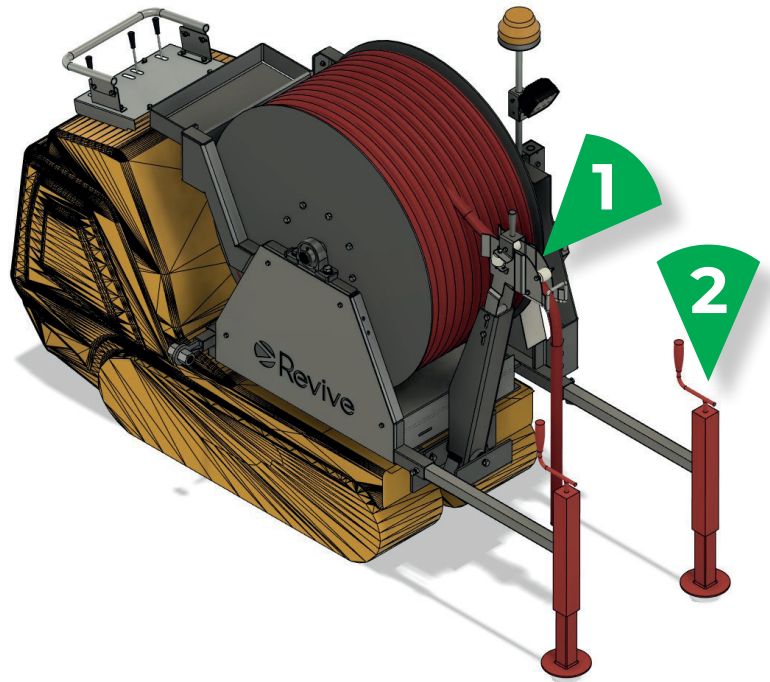


## Operation

For the start-up procedure please refer to JCB HTD5 manual.

## Controls

1. Reel guide.
2. Supports.
3. Left track forward/reverse.
4. Right track forward/reverse.
5. Single speed/double speed.





## The Revive Remote Reel Icons

Familiarise yourself with the following icons and instructions **prior to using** the machine.



Machine to be operated by authorised personnel only.



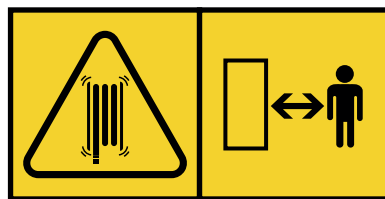
Prior to use, please read manual and observe safety guidelines and instructions.



Bystanders are to stay clear of working machine.



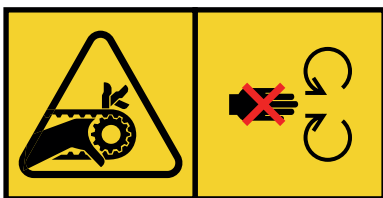
Turn off and remove key before repairing or servicing the machine.



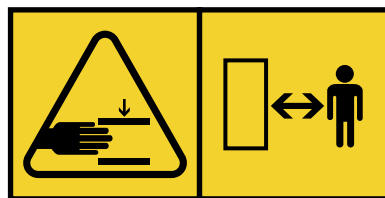
Ensure hose is carefully reeled in and out and correct any kinks in the hose.



Hose reel: Crush hazard.



Chain drive: Crush hazard.



Hose guide: Crush hazard.

## Safety Regulations

1. This machine should not be operated while under the influence of alcohol, drugs or medication that may impair your sight, responsiveness or judgement.
2. The Revive Remote Reel should only be used by an authorised person and the manual should be read and understood prior to starting the machine.
3. The machine should be checked for any faults prior to use.
4. The Revive Remote Reel should only be used for its intended purpose. Misuse or use by unskilled persons may pose significant danger and result in serious harm.
5. Always assess the ground conditions before use.
6. Frost prevention checks should be done before storage in cold conditions.
7. Operation of the machine should be done independently of other actions (e.g., talking on a mobile phone).
8. Keys should be removed from the machine when not in use.
9. Ensure all warning labels on the machine are kept clear and readable.
10. Work must stop immediately if a malfunction or fault is identified.  
The fault should then be rectified prior to re-use.
11. Do not lean into the machine during use for risk of injury.
12. Ensure a safe working distance is maintained from people in the area and other structures to avoid crush hazard.
13. The hose must be fully reeled in prior to transportation.
14. Observe the maximum gradient advice within the operator's manual.





## Jetting Operations

- Operators must be trained in the use and application of the specific nozzle being used.
- It is the operator's responsibility to ensure the adequate training is provided.

## **Failure to do so could result in serious harm!**

- The operator should also ensure that the pressure does not exceed the hose manufacturer's guidelines.
- Damaged hoses should be replaced immediately and hoses should only be connected by the correctly mounted couplings.
- Do not reel the hose onto the reel without pressure as doing so may risk damage to the machine.

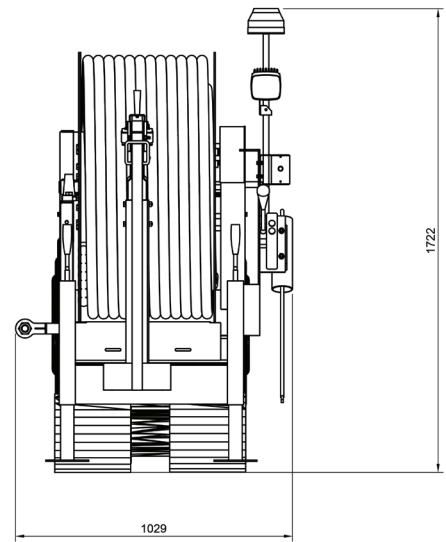
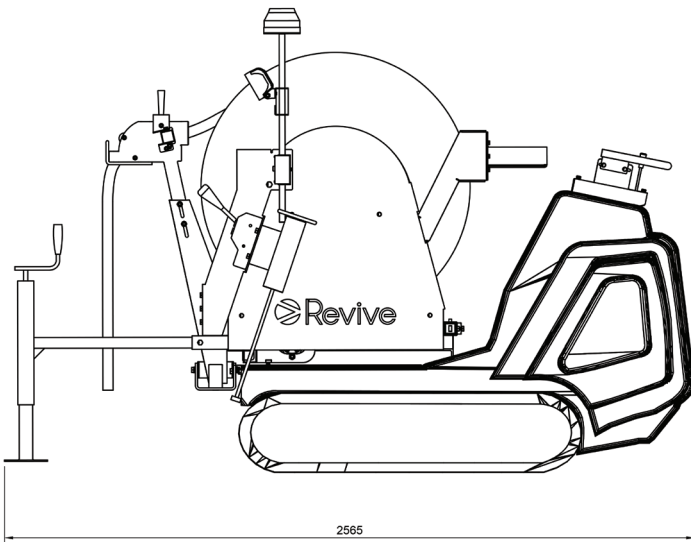
## Maintenance

The Revive Remote Reel should be tightened after the first 75 hours of use and then routinely after every 200 hours.

- The bearings and drive chain should be lubricated every 4 weeks.
- Tilt points and other grease points should be done every 6 months.

## Dimensions for Transportation

Please refer to the JCB manual for full details on recommended slope limits for both mobile and static operation of the unit.



## Technical Specifications

Tractor:

Net weight Revive Remote Reel:

Width in transport:

Height in transport:

Length with stand-plate down:

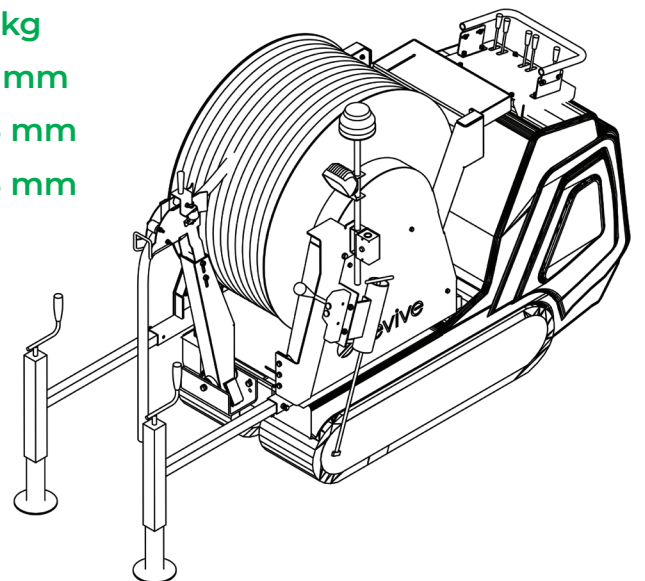
**JCB HTD5**

**850 kg**

**864 mm**

**1628 mm**

**1928 mm**





## The Revive Remote Reel Operation Manual

This manual is designed to assist with the operation and maintenance of the Revive Remote Reel. Should you require any further assistance do not hesitate to contact your local distributor.

The Revive Remote Reel is a high-pressure unit and is only to be operated by those with the appropriate training in high-pressure water jetting. The trained water jetter is the only person qualified to operate the equipment.

At all times, health and safety and operating regulations must be strictly observed.



## The Revive Remote Reel

### Reel In / Out

**CAUTION:** While reeling in the hose, make sure that the hose is pressurized and it doesn't get stuck. This can put excessive strain on the machine which may result in damage to the equipment.

**CAUTION:** Stay clear of the equipment when it is in operation. Failure to do so may result in injury.

Before starting to reel out the hose, make sure it passes through the guide. To get the hose out, pull the lever situated on the left hand side of the guide. To prevent any injury stay clear of the rotating part of the equipment. The slower the control lever is operated, the more progressive the operation of the machine will be.

Always bring the rotating assembly to a stop before changing from reel in to out or from out to in.

### Ensure the hose is pressurized before reeling in!

To reel the hose in, gradually push the lever all the way. Ensure that the hose is winding on the drum properly by using the guide.

### Free-Run Operation

A bypass valve is situated under the operating lever, this valve enables the operator to free-run the reel without using the hydraulic motor. This function can be used to manually operate the equipment while reeling in or out.

**CAUTION:** Ensure the reel/guide areas are clear before engaging the free-run function.



## The Revive Remote Reel

### Driving the Vehicle

**CAUTION:** Drive the machine smoothly. Spin-turn manoeuvres, zig-zag driving or turning too fast can cause the unit to overturn.

To move the machine forward, push both the track control levers forward, return the levers to the neutral position to stop the machine. The slower the track controls are moved to full travel, the more progressive the starting of the machine will be.

Always stop the machine and drop the engine speed to idle before changing from forward to reverse or from reverse to forward. Damage to the track motors sprockets tracks may occur if the procedure is not followed.

To move the machine backward, push both the track control levers backwards release the levers to stop the machine. Care should be taken at all times when reversing. Never reverse the machine when high speed is selected.

To turn the machine whilst travelling, move the lever back towards the central position on the side towards which you want to go e.g. move the right lever back to turn right. This procedure will cause the right track to move slower than the left. The faster moving left track will push the machine around.

To spin the machine around through 360°, without moving it, operate one lever in forward position and the other in a reverse position. This will cause the tracks to drive in opposite directions and hence push the machine around. It is recommended that low-speed is selected when spin-turning.

## The Revive Remote Reel

### Operating on Slopes

**WARNING:** Failure to observe these precautions may cause the machine to become unstable and in extreme circumstances the machine may overturn with potential serious injury to the operator.

**WARNING:** Operating on hillsides can be dangerous, especially when moving across a slope. If the slope is too steep, the machine could roll over.

Do not operate the machine on icy or slippery slopes.

Avoid moving across slopes. Even on slopes of less than 10°, there is a greater danger of the machine sliding if the ground surface loose or wet. If repeated journeys across a slope are unavoidable, cut a level platform for the machine to travel on to increase stability.

Do not attempt to climb up or down a slope greater than 10°.

Before attempting to travel up a slope make sure that the engine and the hydraulic-fluid have reached working temperature.

Before attempting to travel down a slope make sure that the engine is at a very low speed.

The machine must be reversed up a slope, then driven forward back down the slope. Make sure that there are persons in the direction of travel.

Do not make sudden direction changes when moving up/down a slope. Make sure not to stop the machine on a slope even for a short period of time.

If at any point of time the machine has to stop on a slope, make sure to chock both tracks.

## The Revive Remote Reel

### Connecting the Hose and Pressurising the System

**WARNING:** Failing to connect the water supply to the unit properly can result in hose-whiplash, which may cause injury.

Before commencing operation ensure the drum is tilted and resting on its stabilisers. Connect the water supply to the Remote Reel securely and start reeling the hose in to the drain.



For servicing & spare parts  
please visit [acumec.com](https://acumec.com)

Partners in sustainability.





**The Revive Group,**  
Building 10, Stradavoher Business Park,  
Thurles, Co. Tipperary, E41 VO65 IRELAND

  [rei-limited.com](https://rei-limited.com)